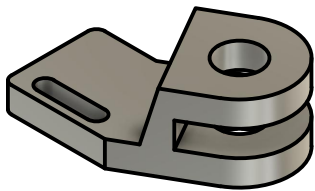
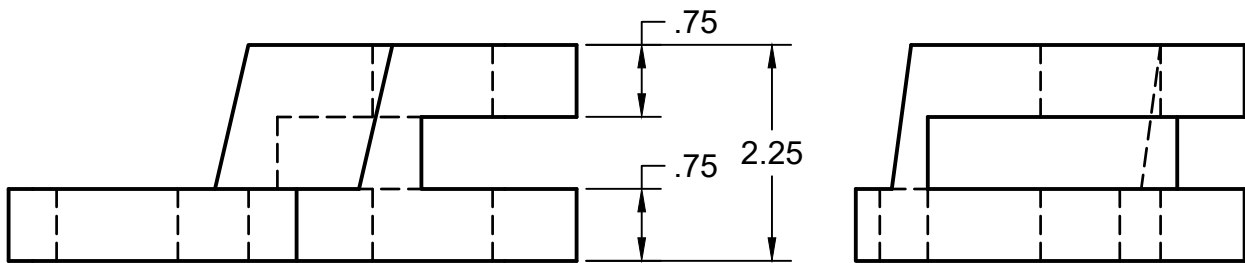
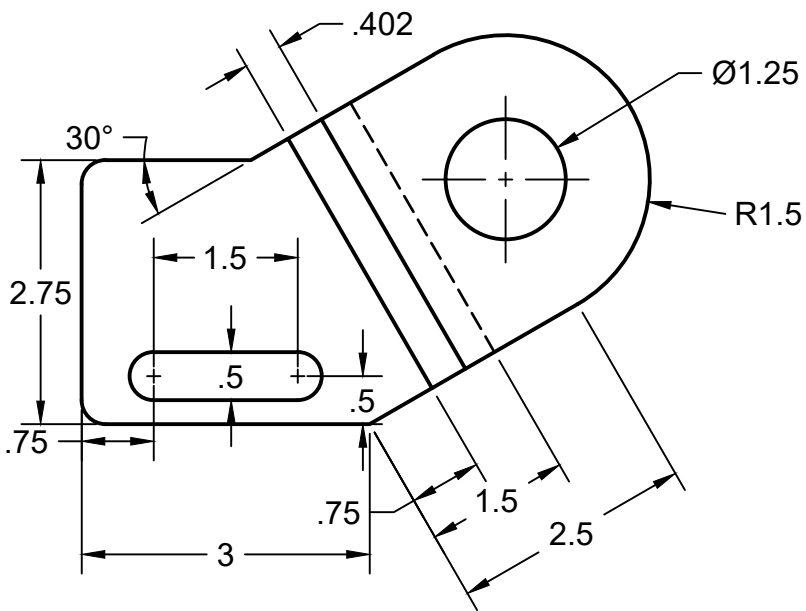


PROJECT  
**Projects-Ongoing**

TITLE  
**ch7Excercises**

APPROVED	SIZE	CODE	DWG NO	REV
CHECKED	A			
DRAWN Eric Bredder 3/30/2019	SCALE 1:2	WEIGHT	SHEET 1/5	



PROJECT

Projects-Ongoing

TITLE

ch7Excercises

APPROVED

CHECKED

DRAWN

Eric Bredder

3/30/2019

SIZE

A

CODE

DWG NO

REV

DRAWN

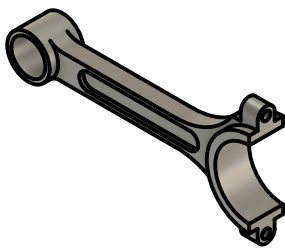
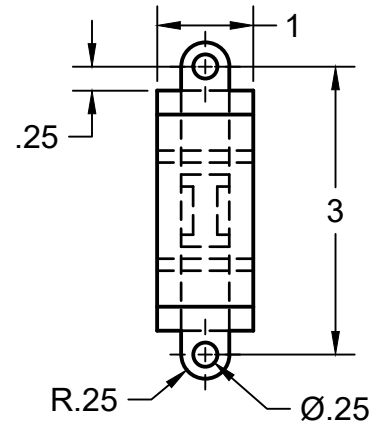
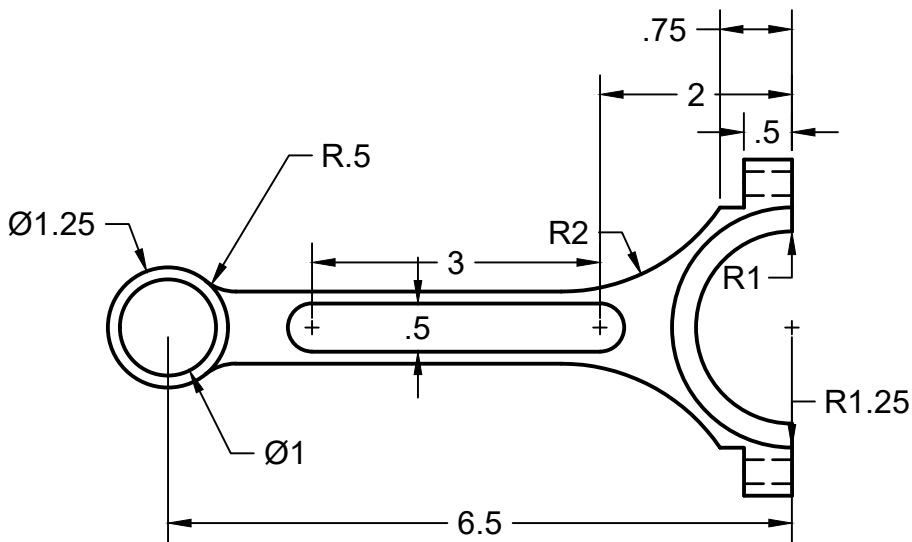
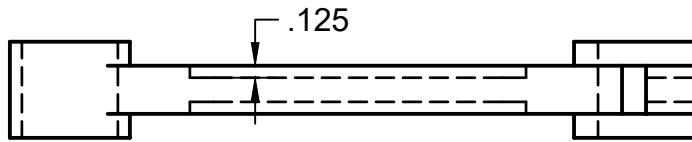
Eric Bredder

3/30/2019

SCALE 1:2

WEIGHT

SHEET 2/5



PROJECT

Projects-Ongoing

TITLE

ch7Excercises

APPROVED

SIZE

CODE

DWG NO

REV

CHECKED

A

DRAWN

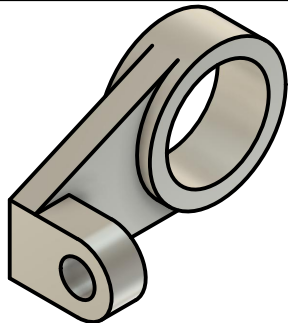
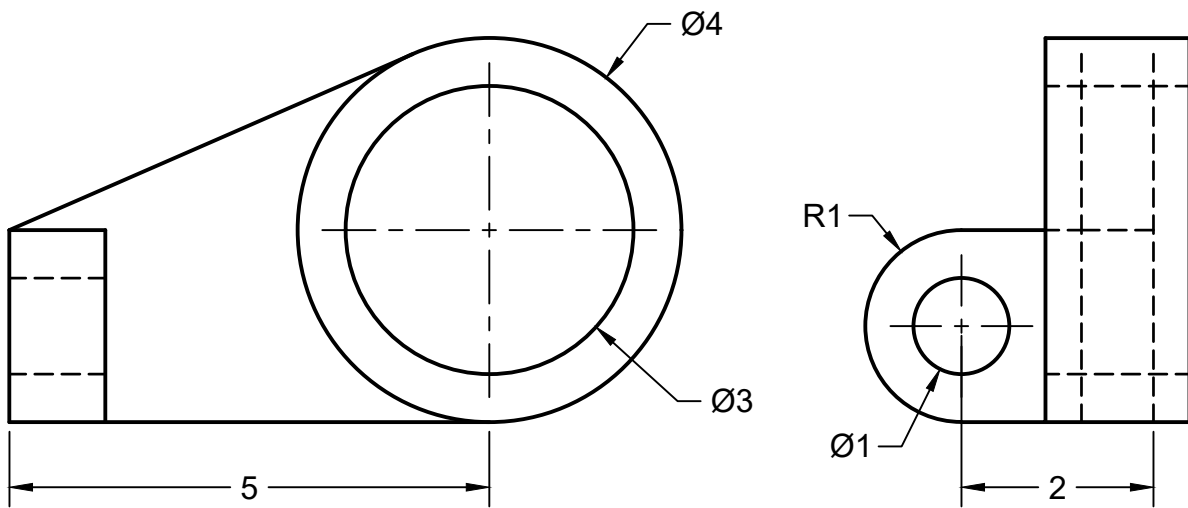
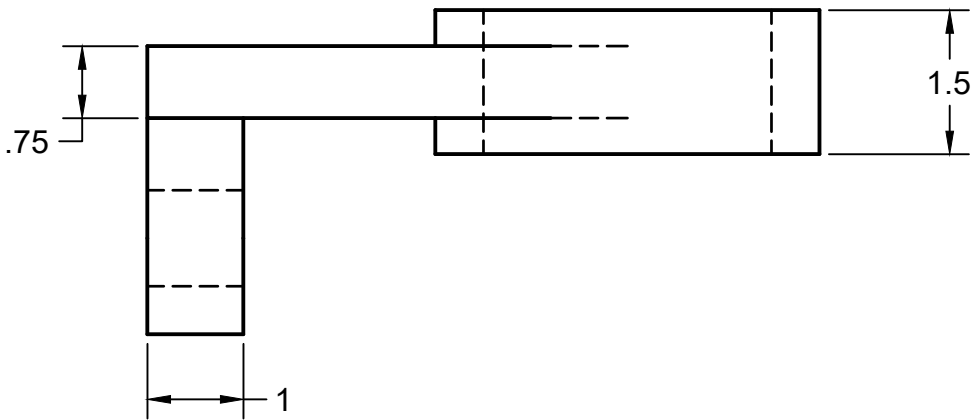
Eric Bredder

3/30/2019

SCALE 1:2

WEIGHT

SHEET 3/5



PROJECT

**Projects-Ongoing**

TITLE

**ch7Excercises**

APPROVED

SIZE

CODE

DWG NO

REV

CHECKED

A

DRAWN

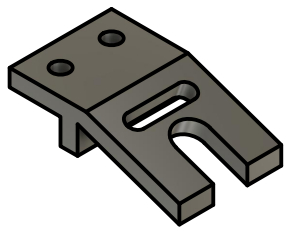
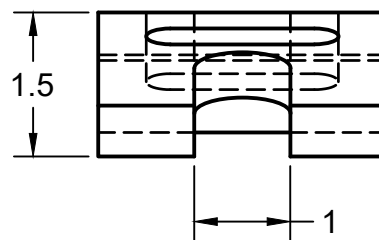
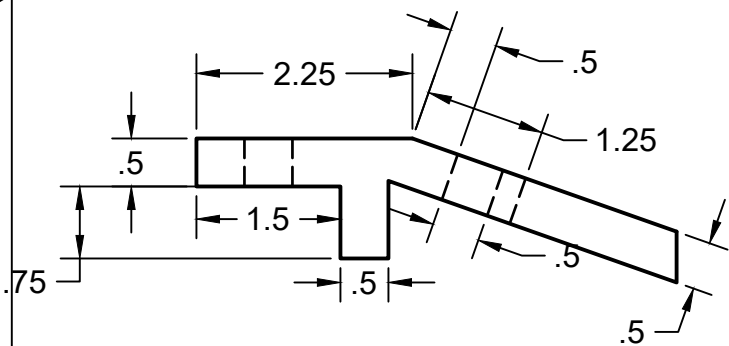
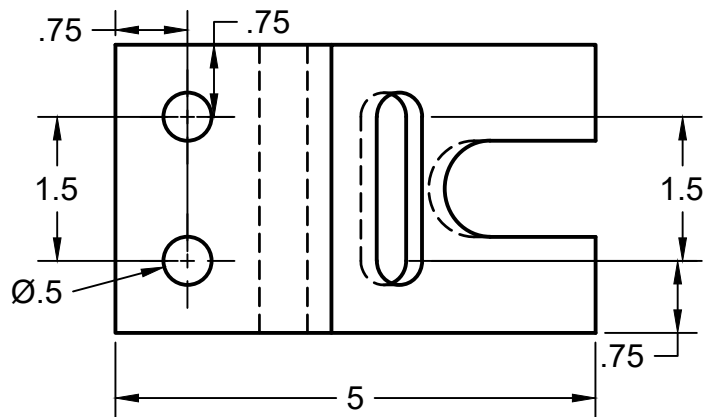
Eric Bredder

3/30/2019

SCALE 1:2

WEIGHT

SHEET 4/5



PROJECT

Projects-Ongoing

TITLE

ch7Excercises

APPROVED

SIZE

CODE

DWG NO

REV

CHECKED

A

DRAWN

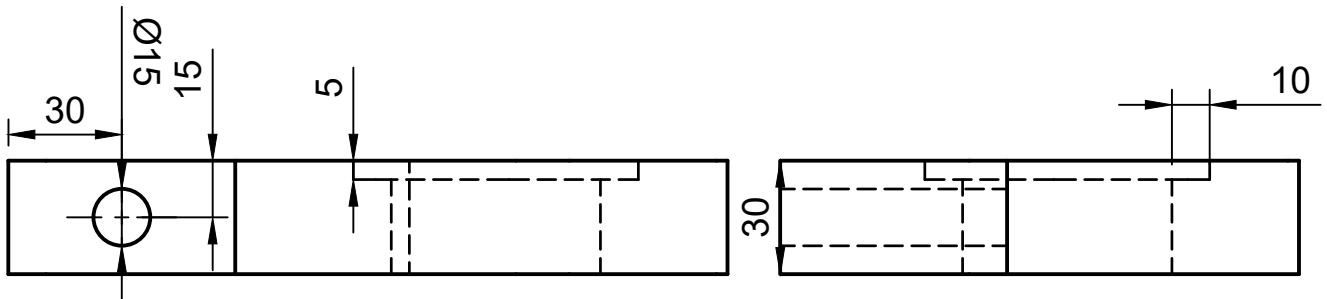
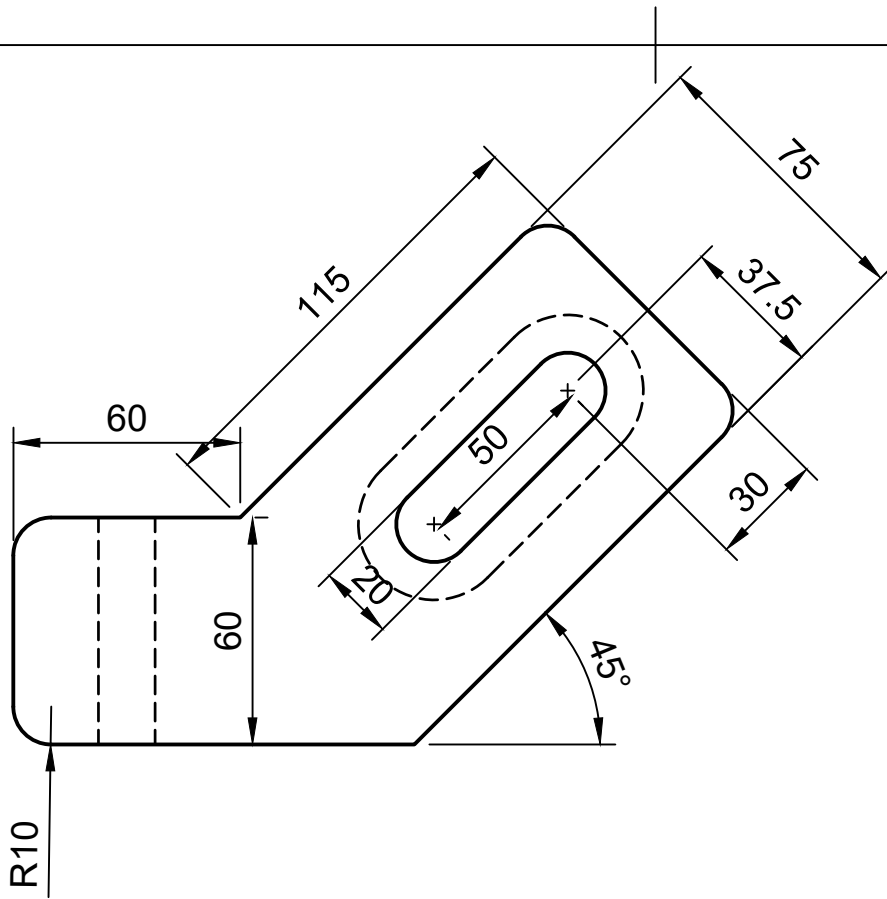
Eric Bredder

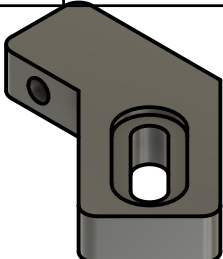
3/30/2019

SCALE 1:2

WEIGHT

SHEET 5/5



Dept.	Technical reference	Created by <b>Eric Bredder</b> <b>3/30/2019</b>	Approved by	
	Document type		Document status	
	Title <b>ch7excercisesMM</b>		DWG No.	
	Rev.	Date of issue	Sheet <b>1/1</b>	